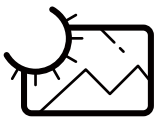


DS SERIES

DS752LT5

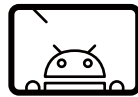
75" Ultra HD High Brightness 4,000 Nits Digital Signage



**SUNLIGHT
VIEWABLE IMAGE**



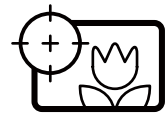
**ULTRA HD
4K RESOLUTION**



**BUILT-IN
MEDIA PLAYER**



**THERMAL
MANAGEMENT**



**TRUECOLOR™
CALIBRATED**

FOR MORE INFORMATION

For more information about DynaScan, visit our site at www.dynascandisplay.com. Copyright © DynaScan Technology Inc. All rights reserved. All specifications and descriptions are subject to change without notice. Reproduction without permission is prohibited.

DynaScan

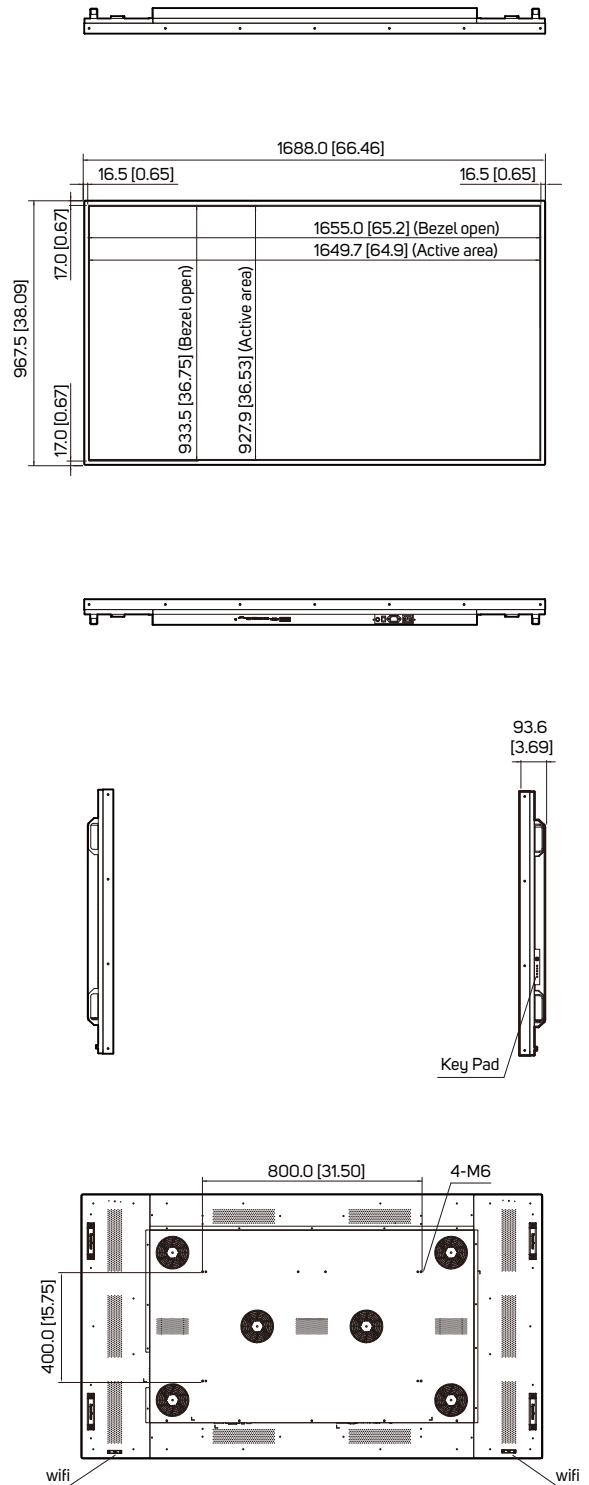
64606 | V1.02

SPECIFICATION

MODEL	DS752LT5	
PANEL	LCD Panel Type	74.52 inches LCD
	Native Resolution	3840 x 2160
	Backlight	LED
	Default Color Temperature	D65 (6500 K)
	Brightness	4,000 nits
	Color Depth	10 bits
	Contrast Ratio	3000 : 1
	Response Time	8 ms
	Viewing Angle (H/V)	178° / 178°
	Light Life Time (Typ.)	100,000 hrs
POWER	Panel Surface	AG Haze 3%, 2H
	Blackening Defect Free	Up to 110°C (230°F)
	Viewable With Polarized Lenses	Yes
POWER	Power Supply	Internal
	Rated Voltage	100-240V ~ 50/60Hz
	Power On Mode (Typ./ Max.)	420 W / 800 W [TBC]
MECHANICAL SPECS	Power Saving Mode	< 1 W
	AC out	< 100 W
	Bezel Width (T/B/L/R)	17.0 / 17.0 / 16.5 / 16.5 mm
	Cabinet Color	Black
	Monitor Dimension (LxHxD)	1688 x 967.5 x 93.6 mm
	Monitor Weight	58kg
	Orientation	Portrait / Landscape
	VESA Mounting (LxH)	800 x 400 mm
	Carring Handles	Yes
	USER INTERFACE	Language
Support SNMP (Up to V3.0)		Yes
Dimming Control		Yes
Proof of Image Retention		Yes
Auto Orientation Sensor		Yes
Ambient Light Sensor		Yes
Power On/Off Scheduling		Yes
Internal Temperature Sensor		Yes
OSD Menu Rotation		Yes
INPUT		HDMI
	Display Port	x1
	USB	x1 (USB3.0)
OUTPUT	Micro SD Slot	x1
	Audio	x1
EXTERNAL CONTROL	RS-232	In x1
	RJ-45	x2 (LAN)
INTERNAL PLAYER	Operating System	Android 8.0.0
	Processor	Dual-core A73 and dual-core A53
	Clock speed	1.5GHz
	Main memory interface	DDR4, 2G
	Graphics	Quad-core MaliG51
	Storage	Internal: 16GB eMMC Flash External: Support Micro SD , Up to 32GB(exFAT) /128GB(FAT32)
	Multimedia	4K 10bits VP9/H265/H264 video decoders, up to 60fps 1080P other video decoders (VC-1, MPEG-1/2/4, VP8)
ENVIRONMENT	Wi-Fi Specification	802.11 b/g/n 2412.0MHz - 2462.0MHz
	Operating Temperature	0° C ~ 45° C
	Storage Temperature	-20° C ~ 60° C
CERTIFICATION	Humidity	10% ~ 80% RH Non-condensing
CERTIFICATION		CE / FCC / RoHS

DIMENSIONS

Unit: mm [inch]



INTERFACE

